

Technical data sheet

Quick clip, light grey

Item number: 2149034



Flush-mounted clip to accept metric steel armoured pipes and heavy-duty insulating pipes, as well as Quick-Pipe® electrical installation pipes. Universal fastening options on walls and ceilings, both in indoor and protected outdoor areas. With slot for side alignment during mounting with wood screw or knock-in anchor. Toolless pipe mounting. Can also be arranged with OBO Multi-Quick or proQuick clip. M16 - M32 size can be screwed onto M6 thread. Recommended fastening spacing 50–60 cm, for max. extraction values F at a room temperature of 20 °C, see the table.



PP Polypropylene

Master data

Item number	2149034
Type	2955 M50
Description 1	Quick clip
Manufacturer	OBO
Dimension	M50
Colour	Light grey; RAL 7035
Material	Polypropylene
Smallest sales unit	25
Unit of quantity	Piece
Weight	1.454 kg
Weight unit	kg/100 pc.

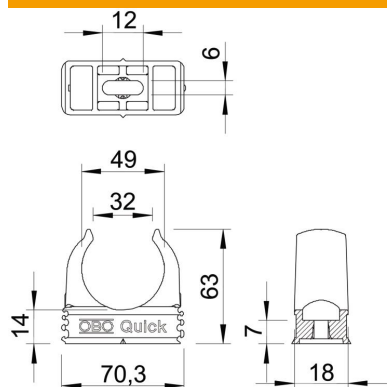
Technical data sheet

Quick clip, light grey

Item number: 2149034



Dimensions



Dimension A	70.3 mm
Dimension B	18 mm
Dimension C	32 mm
Dimension D	49 mm
Dimension E	12 mm
Dimension F	6 mm
Dimension h	14 mm
Dimension H	63 mm

Technical data

Expandable	yes
Number of cables/pipes	1
Pull-out value	135 N
Fastening type	Screw hole
Breaking load	0.17 kN
Flame-resistant	acc. to VDE 0471/DIN 695 Part 2-1, test temperature 650°C
Closed	no
Halogen-free	yes
With inlay	no
Nominal size	M50
Quick clip installation	Durchgangsloch,_auf_M6_Gewinde_aufschraubbar
Clamping range D, max.	50 mm
Clamping range D, min.	50 mm
UV-resistant	no